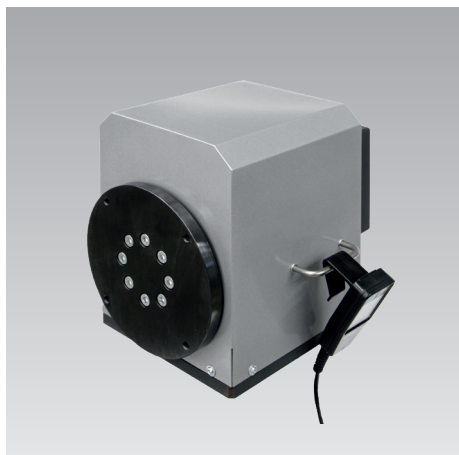


Rotating Module DMHe 140 - electrically operated

max. load 4,000 N, max. torque 140 Nm



Principal use

- Assembly work on workpieces up to 400 kg
- For turning and tilting components
- Inspection and adjustment work
- Hydraulic motors
- Hydraulic axes
- Gear assembly

Description

The DMHe 140 rotary module is an electrically driven rotation axis for handling and positioning workpieces.

At the push of a button, the electric motor drives a worm gear.

The drive is self-locking, so it reliably holds any intermediate position reliably without the need for an additional brake.

Application

The rotating module is an electro-mechanical unit without a safety device.

It is therefore advisable that the design and use of the module ensures edges are not crushed. Ideally, the operating element should be arranged so that the operator is not in the immediate vicinity of the rotating parts during rotation.

The axis is filled with oil/grease. A minimal amount of lubricant leakage can therefore not be ruled out, and use in an environment where there is food or in a clean room is therefore not intended.

As the gearbox is self-locking, it also prevents eccentric loads from reversing. From this point of view, the electric rotating module is always a safe and ergonomic alternative to rotation axes with a latching function.

Advantages

- High static power reserves
- Stable bearing
- Simple installation and operation
- Infinite rotation
- Self-retaining
- Ready-to-connect subassembly (ready-to-operate)

Variants

Rotating module DMHe 140

Part no.: 650 8140 E

Hand panel operating element

Supply voltage 230 V AC

Versions on request

- Foot switch operating element battery supply voltage 230 V AC
- Hand panel operating element battery supply voltage 24 V DC
- Foot switch operating element battery supply voltage 24 V DC

Delivery

Rotating module DMHe 140 consists primarily of four components:

1. Rotation axis with motor and gear box
2. Control box
3. Hand panel
4. Mains cable

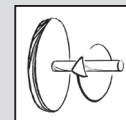
The components are ready to use and mounted as one subassembly. They are to be attached to suitable connecting constructions.

moduhub rotating module electrically operated

– horizontal DMHe 140

Part no. 6508 140E

Max. load: 4000 N



Technical data

Angle of rotation:	360°
Max. torque:	140 Nm
Max. holding torque:	1,000 Nm
Max. bending moment:	1,200 Nm
Rotation:	any
Index:	no indexing positions

Operation modes

- Foot switch
- Hand panel



Can be combined with the modules

Lifting modules

- Shop Floor Telescope as per data sheet M 4.202
- Range as per data sheet M 4.203
- Shop-Floor as per data sheet M 4.301
- Strong as per data sheet M 4.401
- Solid as per data sheet M 4.402

moduhub interfaces

- Flange plate: 140 x 140 – M10
- Body: 140 x 140 – M10
200 x 200 – M10

Technical data / Dimensions

Technical data

Driven torque	140 Nm
Holding torque	1000 Nm
Bending moment	1200 Nm
Rotation speed	approx. 3 rpm
Rotation angle	Infinite without stopping points self-locking in any position
Max. workpiece weight	400 kg
Operating voltage	24 V DC
Supply voltage	230 V AC
Current consumption	< 10 A

Part no. **6508 140 E**

Installation / mounting

The lower, square flange plate of the rotating module fits on all *moduhub* lifting modules and can be easily installed and fixed there or, for example, on a workbench.

Attachments should be arranged in such a way that collisions cannot occur and edges cannot be crushed when turning.

Bottom housing interface

Flange plate *moduhub* 140 × 140 and 200 × 200

Rotating plate interface

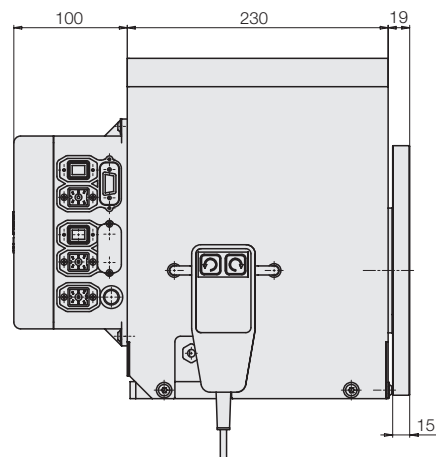
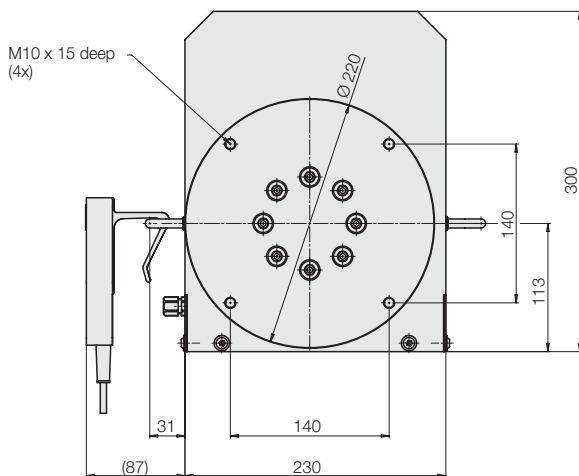
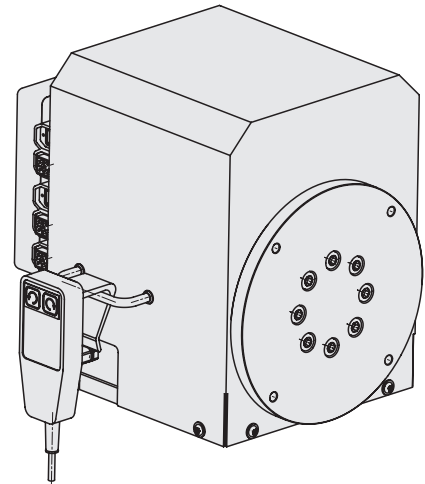
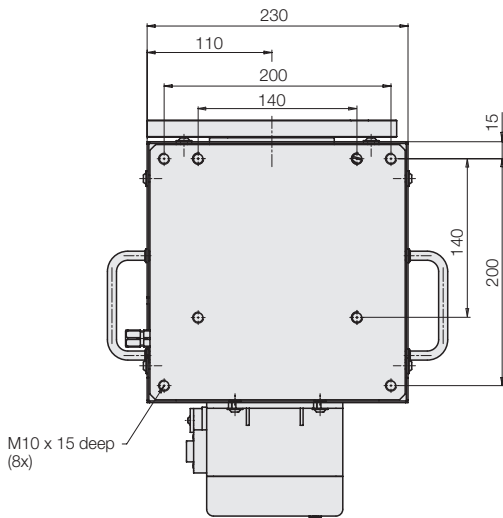
moduhub 140 × 140

Operation

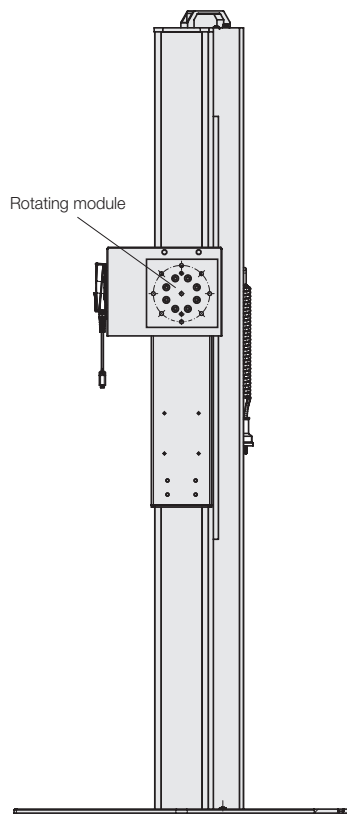
The rotating module is switched with push-buttons in touch control mode.

A hand panel is included in the scope of delivery. Foot switches are available as an option.

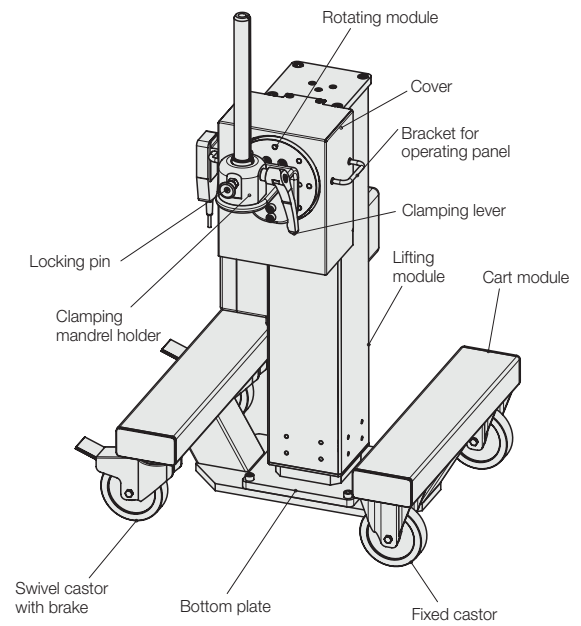
Dimensions



Rotating module attached to the assembly fixture *moduLift* as per data sheet M 9.103



Rotating module mounted on lifting module with cart module (available on request)



Rotating module mounted on lifting module Shop-Floor (available on request)

