



## Bike *basicLift*

### Stationary assembly fixture for bicycles and e-bikes Manual-hydraulic operation



PICK UP | LIFT



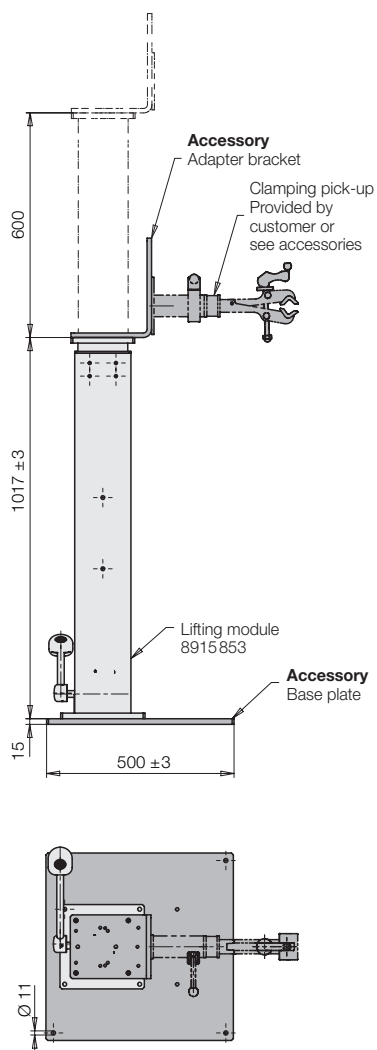
#### Advantages

- For bicycles up to 40 kg
- Max. stroke 600 mm (800 mm on request)
- Quick lift with only a few pump strokes
- Easy height adjustment without external power
- Compact and sturdy version
- Safe and efficient working
- Stable, rigid assembly fixture
- Ergonomic work in the smallest space
- Low backlash guiding for smooth operation
- Use of commercially available bicycle mounts

#### Application

**Bike *basicLift*** is a height-adjustable assembly fixture for bicycles, cargo bikes and e-bikes weighing up to 40 kg for use in smaller, even mobile workshops.

#### Dimensions



#### Description

Our tried and tested modular handling technology *moduhub* was used to develop the compact bicycle assembly stand **Bike *basicLift***. It is based on the reliable manually-hydraulically operated ShopFloor lifting module.

With the **Bike *basicLift***, bicycles weighing up to 40 kg can be raised up to 600 mm (800 mm on request), providing an ergonomic assembly height.

Many commercially available bicycle mounts can be attached to the universal adapter bracket.

The bike can also be rotated in some mounts.

For firm standing, the **Bike *basicLift*** is mounted on a base plate, which can also be screwed to the floor.

#### Operation

The foot pedal is used to lift and lower the bicycle.

To lift, the foot pedal must be depressed several times. Approximately two pump strokes are required to lift approx. 100 mm.

A return spring brings the foot lever to its original position.

To lower the load, the foot pedal has to be pressed upwards approx. 10°.

#### Accessories as per data sheet M 8.902

- Adapter bracket
- Clamping pick-ups
- Further accessories

#### Accessories as per data sheet M 8.100

- Base plates

YouTube Video

See all functions in the video

