

Adaptor Plates for *moduhub* interfaces

Adaptor plate DMH 140



Advantages

- *moduhub* interface
- Simple vertical mounting of the rotating module - horizontal axis DMH
- Easy mounting
- Standard plate

Application

The adaptor plate DMH 140 allows vertical mounting of the rotating module - horizontal axis DMH 200 on modules with a *moduhub* interface 140 x 140.

Material

steel, black oxide

Note

The fixing screws M10 are not included in our delivery.

moduhub

Adaptor plate

for rotating modules DMH 200

Part no. 6311 326



moduhub interface

- 140 x 140 mm – M10

Mounting scheme - example



Rotating module - horizontal axis DMH with interface
95 x 50 mm – M10

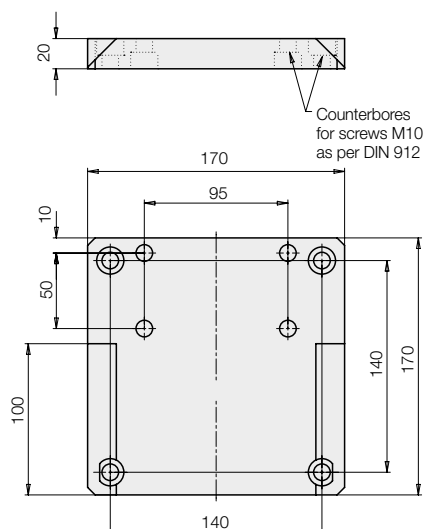


Adaptor plate **DMH 140**



Lifting module with top plate interface
140 x 140 – Ø 10.5 mm

Dimensions

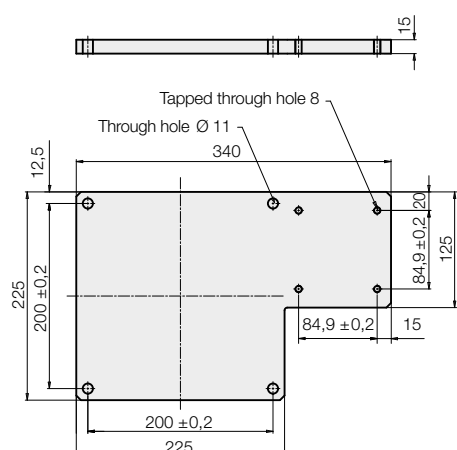


Application example



Rotating module - horizontal axis DMH 200 vertically mounted on a lifting module Shop-Floor

Adaptor plate 6312748



Advantages

- Easy installation of indexing with foot pedal
- Easy mounting
- Standard plate

Application

The indexing mechanism of the rotating modules can be fixed on the floor with the adaptor plate 6312748. With the adaptor plate, all foot pedals for rotating and tilting modules such as per data sheet M1.101 can be quickly and safely fixed.

The application is optimised for cart modules below the base plate of lifting modules.

Material

aluminium, black anodised

Note

The fixing screws M8 are not included in our delivery.

moduhub

Adaptor plate

Pedal-operated indexing

Part no. 6312748

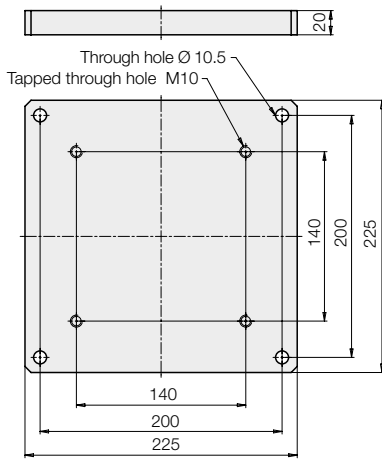


moduhub interface

- 200 x 200 mm – Ø 10.5 mm

Adaptor Plates

Adaptor plate 140 – 200



Advantages

- Simple mounting of *moduhub* modules with different interfaces
- Easy mounting
- Standard plate

Application

By means of the adaptor plate 140 – 200 modules with a 140 x 140 mm *moduhub* interface can be mounted onto a 200 x 200 mm *moduhub* interface.

For example a rotating module - vertical axis on a cart or floor module.

Material

steel, black oxide

Note

The fixing screws M10 are not included in our delivery.

moduhub

Adaptor plate

Interface 140 to 200

Part no. 6311417



moduhub interface

- 140 x 140 mm – M10
- 200 x 200 mm – Ø 10.5 mm

Mounting scheme - example



Rotating module - vertical axis DMV with interface **140 x 140 mm – M10.5**

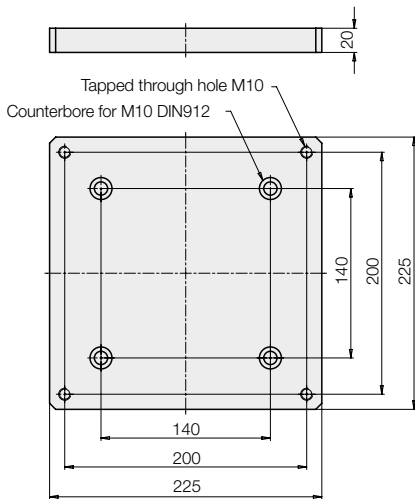


Adaptor plate **140 – 200**



Cart module WMS with interface **200 x 200 – M10**

Adaptor plate 200 – 140



Advantages

- Simple mounting of *moduhub* modules with different interfaces
- Easy mounting
- Standard plate

Application

By means of the adaptor plate 200 – 140 modules with a 200 x 200 mm *moduhub* interface can be mounted onto a 140 x 140 mm *moduhub* interface.

For example a lifting module on a rotating module - vertical axis.

Material

steel, black oxide

Note

The fixing screws M10 are not included in our delivery.

moduhub

Adaptor plate

Interface 200 to 140

Part no. 6311423



moduhub interface

- 200 x 200 mm – M10
- 140 x 140 mm – Ø 10.5 mm

Mounting scheme - example



Lifting module with base plate interface **200 x 200 mm – Ø 10.5**

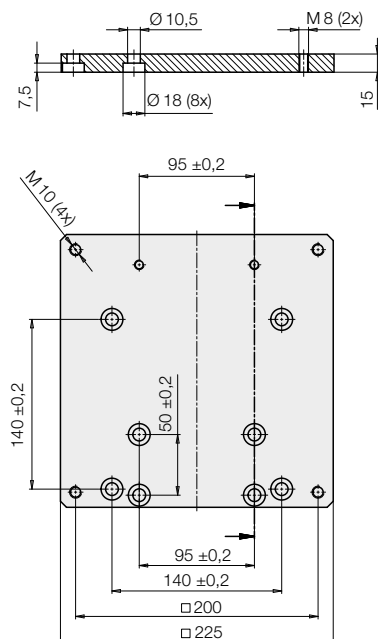


Adaptor plate **200 – 140**



Rotating module - vertical axis DMV with interface **140 x 50 mm – M10**

Adaptor plate 6313989



Advantages

- Simple adaptation of rotating modules with horizontal axis

Application

This adaptor plate is especially suitable for mounting rotating modules as per data sheet M 1.101 or M 1.201 on lifting modules Solid as per data sheet M 4.402.

Material

steel, black oxide

Note

The fixing screws are not included in our delivery.

moduhub

Adaptor plate

Part no. 6313989



moduhub interface

- 200 x 200 mm – M10
- 95 x 50 mm – Ø 10.5 mm (M 1.101)
- 140 x 140 mm – Ø 10.5 mm (M 1.201)

Application example

